



ELLA ELEMENT
Standing Vanity
with Quartz Top

SPECIFICATIONS



FSC License Code
FSC-C125053



Available Colors

EBONY

DARK WALNUT

WHITE OAK



Standing Cabinet

Minimalistic Design with Push to Open Under-Mount Slides

Actual Size

Length: 36,61" • (93 cm)

Width: 22" • (55,8 cm)

Height: 35" • (88,9 cm.)

Shipping Size

Length: 37,79" • (96 cm)

Width: 23" • (58.8 cm)

Height: 36" • (91.9 cm.)

NET WEIGHT

Length: 00LBS • (0Kg.)

SHIPPING WEIGHT

Length: 0LBS • (0Kg.)

*Measurements can vary +/- 1/8"

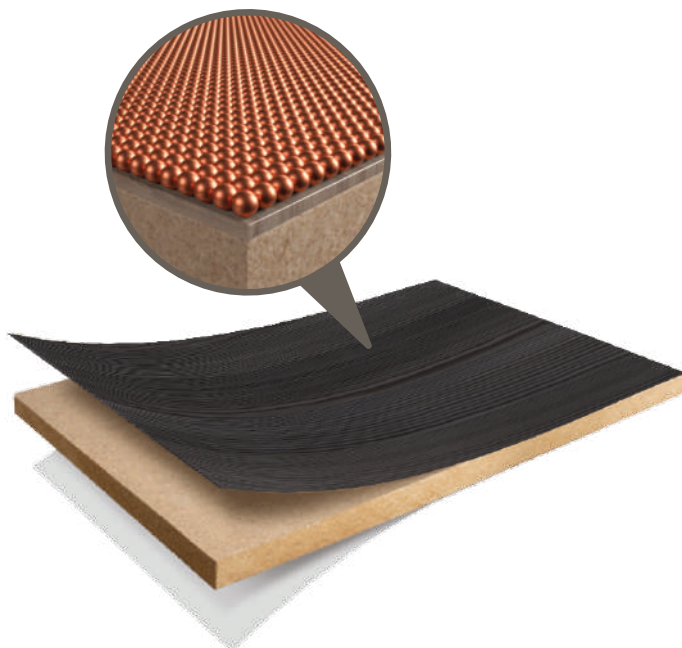
DESCRIPTION

3 drawers, Top drawer with U-shape for sink drain and two compartments. Middle drawer with three compartments and Bottom drawer with a single compartment.

Luxury design with Undermount Push to Open slides for easy opening. No handles

MDF High Quality Arauco Melamine coating.

Options available for finishes and colors.



MATERIAL

MDF

Medium Density Fiberboard
High quality Melamine coating.

Protection of **Virus Nano Protech** copper nanoparticles, with antiviral and antibacterial effectiveness.

Excellent resistance to surface wear

Textured Wood finish

Build with Environment Friendly Boards





Introducing our elegant 3-drawer standing dresser with a touch of modern sophistication. This exquisite piece features three spacious drawers for convenient storage, each equipped with a smooth glide system for easy access. The cultured marble countertop adds a touch of luxury and is pre-drilled for your faucet, simplifying installation.

Its sleek, contemporary design appeals to those with a taste for modern aesthetics. Elevate your bathroom with this 3-drawer pedestal sink, a blend of style and functionality.

Colors and Finishes

Ebony



Dark Walnut



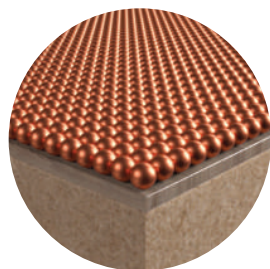
White Oak



Ella's vanities are constructed using a collection of boards manufactured in Mexico by Arauco, the world's first Natural Carbon Certified forestry company. This certification signifies that, through its native forests and forestry plantations, Arauco captures more CO₂ than it generates throughout the entire production process. Additionally, Arauco's products originate from sustainably managed forests certified by the FSC.



Environmentally friendly product.



The Arauco Melamine collection of boards features Virus Nano Protech protection. This technology, which utilizes copper nanoparticles, is capable of eliminating up to 99.9% of viruses and bacteria from the melamine surface after 60 minutes of contact and is effective against the virus that causes Covid-19*.

The product is certified to ISO 22196 for bacteria and ISO 21702 for viruses.

*Effectiveness studies were conducted on Human Betacoronavirus OC43, which is considered to be in the same family and subfamily as SARS-CoV-2.



Quartz Top Engineered Stone

| Color Finishes Available



- Faucet is not included. -

Actual Size

Length: 37" • (93,98 cm)

Width: 22" • (55.88 cm)

Height: 7" • (17,78 cm.)

*Measurements can vary +/- 1/8"

Shipping Size

Length: 38,5" • (97.8cm)

Width: 23.5" • (59.7cm)

Height: 8" • (20.32cm)

DESCRIPTION

Natural quartz is one of nature's hardest materials. Our slabs are engineered consisting of 95% quartz miner along with resin made up of polymers and pigments. Since it is a man-made material, it can come in a broad variety of colors and textures.

NET WEIGHT

Length: 00LBS • (0Kg.)

*Weight can vary */100-200gr.

SHIPPING WEIGHT

Length: 0LBS • (0Kg.)

BENEFITS OF QUARTZ

- ✔ Scratch and stain resistant
- ✔ Low maintenance
- ✔ Resistant to household chemicals
- ✔ Workability of the material
- ✔ Non porous material
- ✔ Impact resistance
- ✔ Fire resistance

Faucet Holes Options

Galaxy White - Single/Centerset Faucet Hole

Galaxy Grey - Centerset Faucet Holes

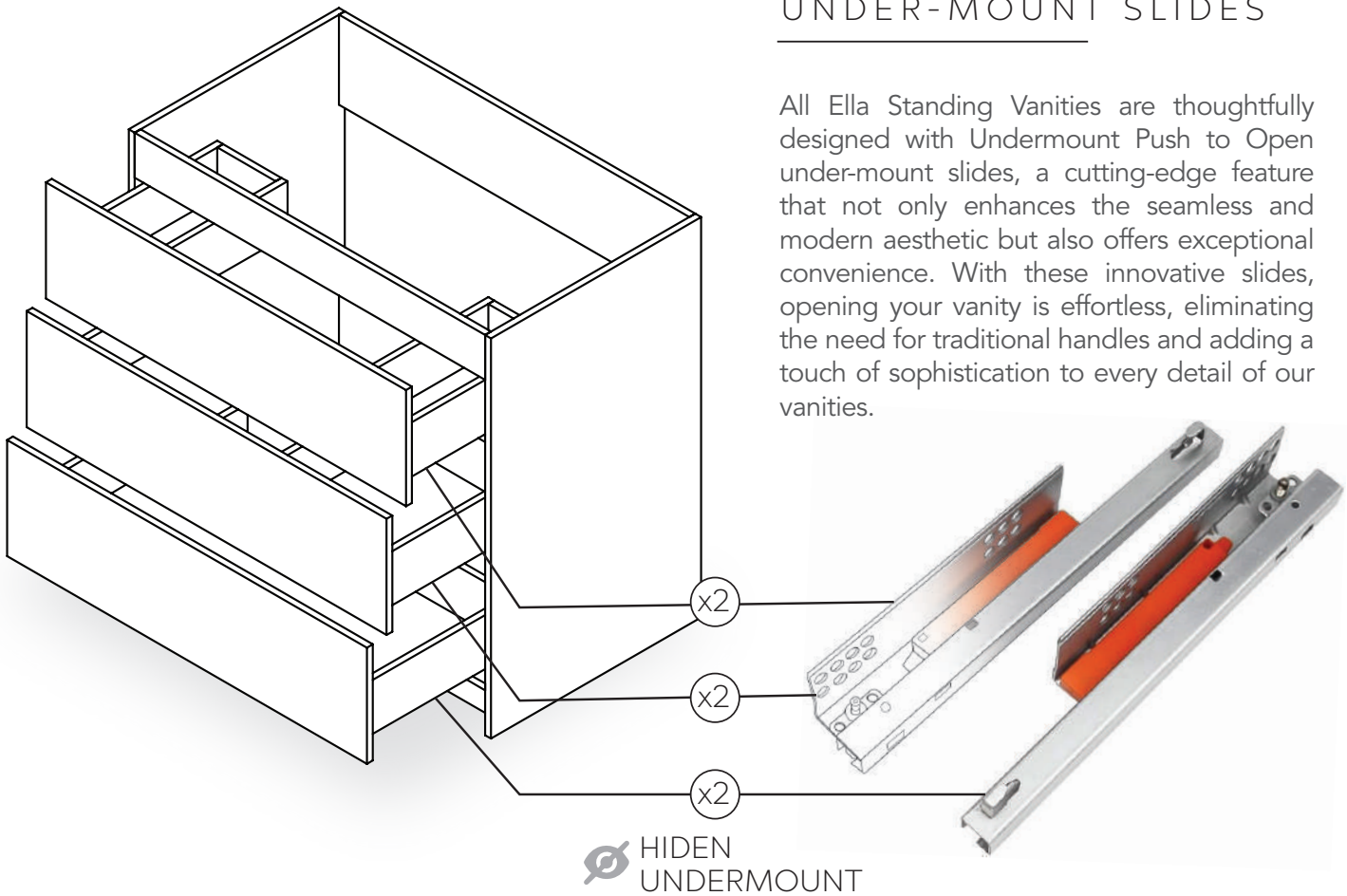
Layra White - Centerset Faucet Holes

Calacatta White - Single/Centerset Faucet Hole



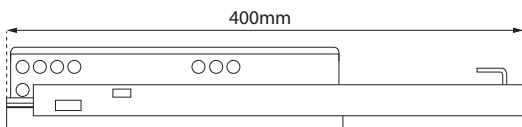
PUSH TO OPEN UNDER-MOUNT SLIDES

All Ella Standing Vanities are thoughtfully designed with Undermount Push to Open under-mount slides, a cutting-edge feature that not only enhances the seamless and modern aesthetic but also offers exceptional convenience. With these innovative slides, opening your vanity is effortless, eliminating the need for traditional handles and adding a touch of sophistication to every detail of our vanities.

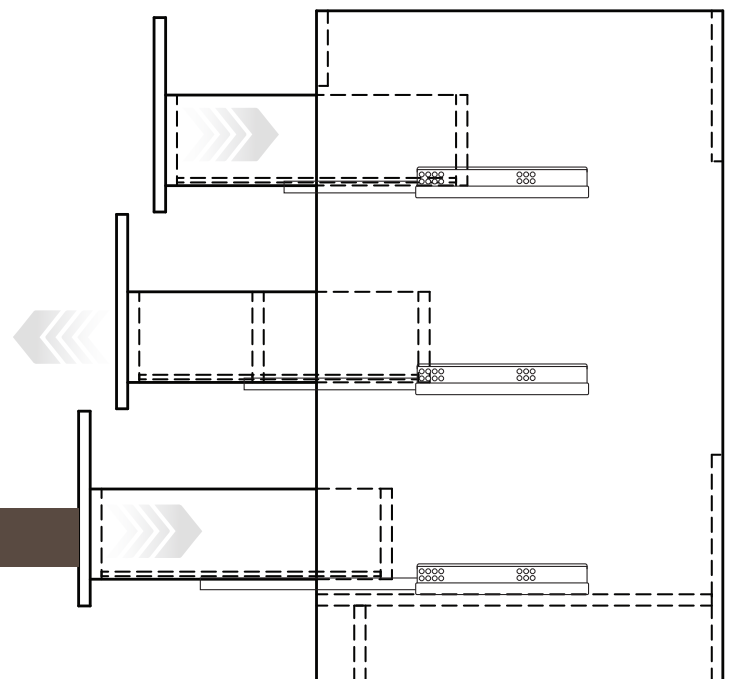


 **HIDEN
UNDERMOUNT**

ELEGANCE,
EXCEPTIONAL DESIGN,
EFFORTLESS USE.



No handles needed

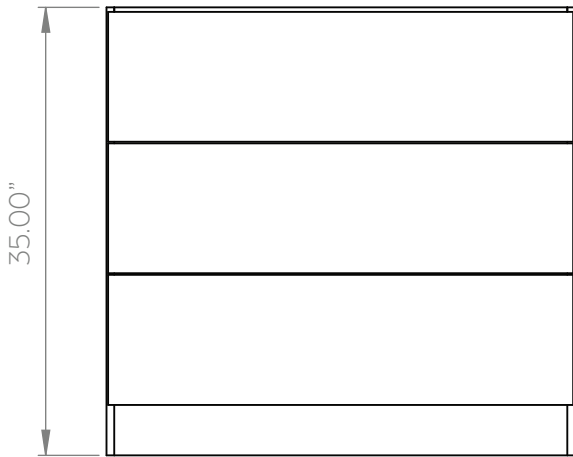




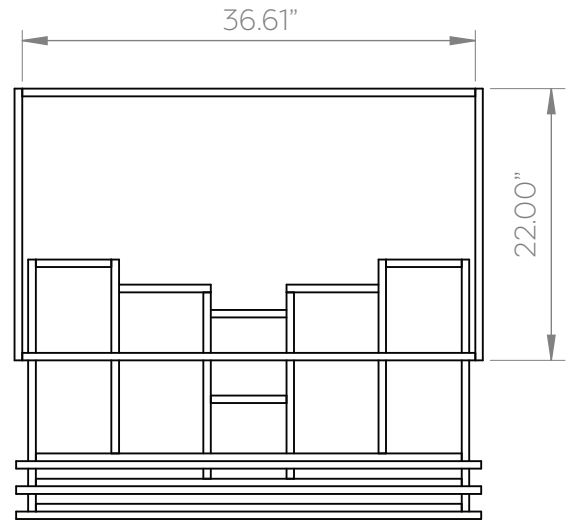
Views & Size

Standing Cabinet

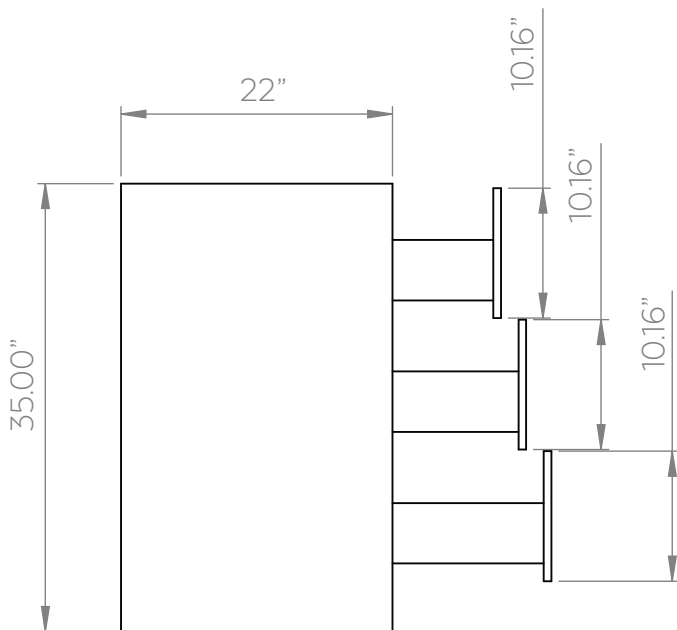
FRONT VIEW



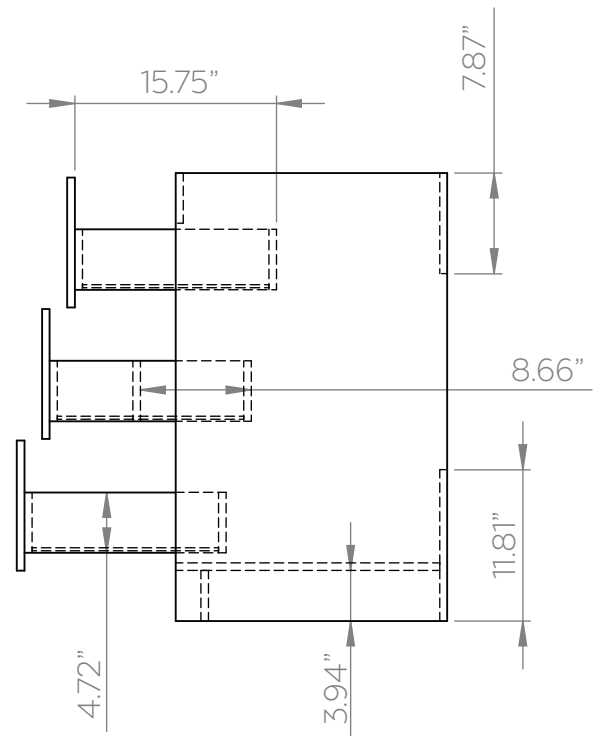
TOP VIEW



SIDE VIEW



SIDE VIEW



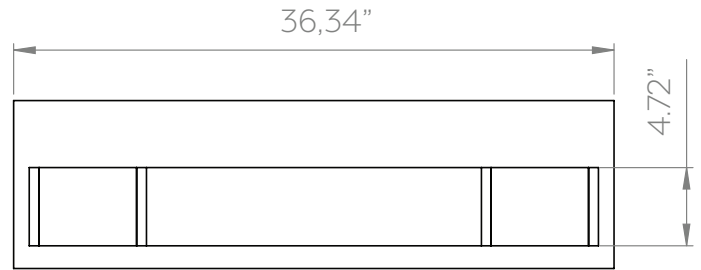
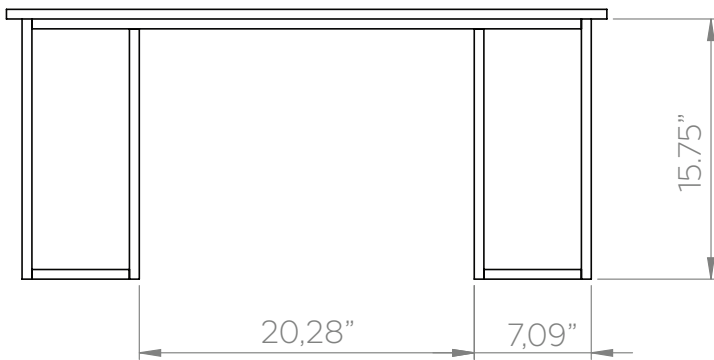
*Measurements can vary +/- 1/8"



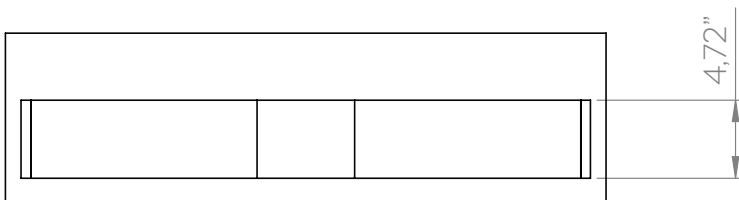
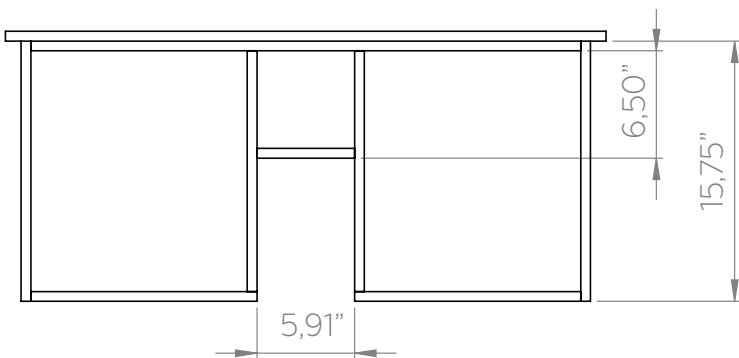
Views & Size

Drawers

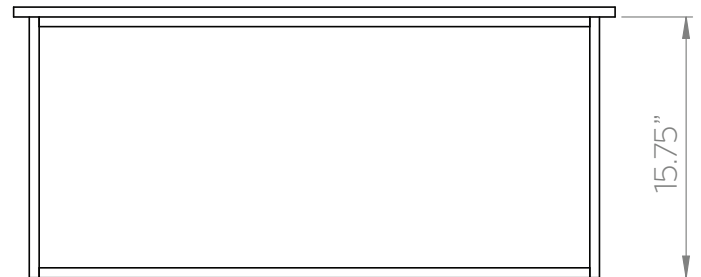
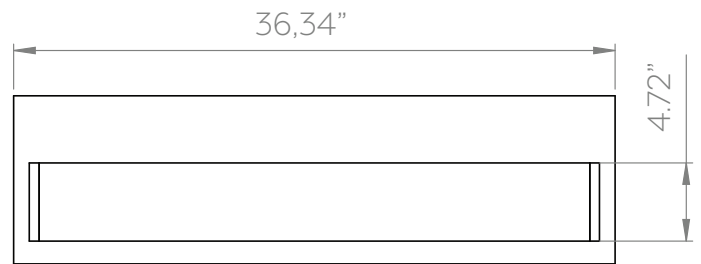
UPPER DRAWER



MIDDEL DRAWER



LOWER DRAWER



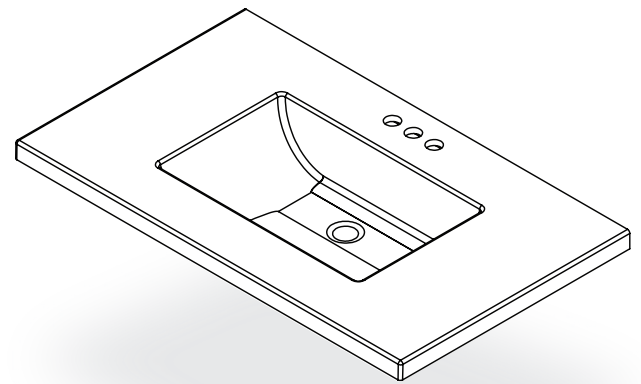
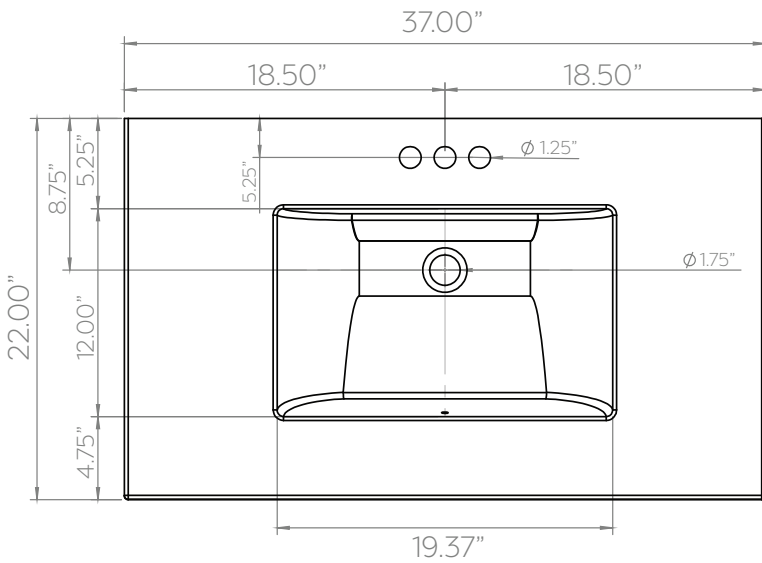
*Measurements can vary +/- 1/8"



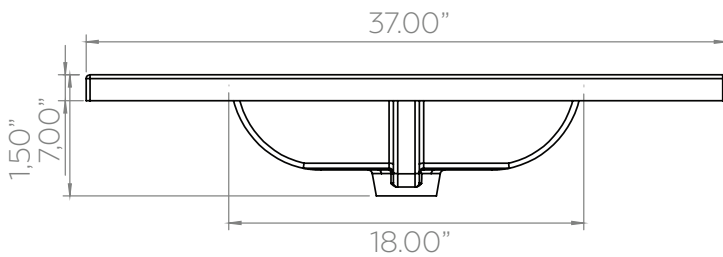
Views & Size

Quartz Top

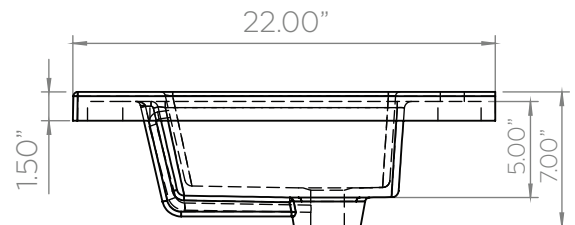
TOP VIEW



FRONT VIEW



SIDE VIEW



*Measurements can vary +/- 1/8"

The melamine surface of the vanities has a closed and pore-free composition, making cleaning and maintenance very easy. This quality makes them more resistant to daily wear and tear.



Cleaning Recommendations

For daily or light cleaning of your Ella furniture, simply use a lightly dampened soft cloth to remove dust or surface dirt, and be sure to dry the surface afterward. For stubborn stains (glue, paint, crayon, grease, varnish, scale, etc.), consider the following options:

- Mix one tablespoon of bleach per liter of water, lightly dampen a soft cloth with this solution, clean your furniture, and then dry the surface to remove residue.
- Lightly dampen a cloth with a 50% alcohol + 50% water solution.
- Slightly dampen a cloth with Thinner.



Only in extreme cases will it be necessary to resort to cleaners that aid in this process. However, it is important not to overuse these cleaning agents or use them on a daily basis; their usage should be moderate and reserved for occasional cases.

DO NOT USE

- ⊘ Caustic Soda
- ⊘ Muriatic Acid
- ⊘ Scale Remover
- ⊘ Kitchen Detergents Multipurpose Cleaners
- ⊘ Abrasive Cloths And Fibers
- ⊘ Lemon Juice
- ⊘ Vinegar
- ⊘ Baking Soda
- ⊘ Furniture Polish Waxes
- ⊘ Automotive Waxes
- ⊘ Any Kind Of Wax