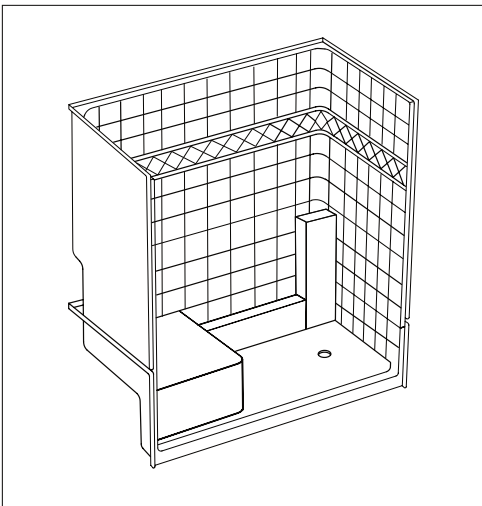




# ELLA'S BUBBLES SERIES

New Construction One-Piece Showers



## Specification Manual

60" x 36" x 77"

Low Threshold Shower Stall & Kit  
Basic Package

For more product information visit [ellasbubbles.com](https://ellasbubbles.com)  
or call Ella's Bubbles toll free at 1-800-480-6850

# New Construction Showers

60" x 36" x 77" New Construction One-Piece Shower  
Basic Package



## HANDED BY SEAT



Right Hand Seat Shown



Shipping Container



Armorcore Reinforced Walls

## Representing Model Numbers

- ESM6036SHLWHT
- ESM6036SHRWHT

## Technical Information

Material: Fiberglass Reinforced with AcrylX  
Overall Dimensions: 60 in. x 36 in. x 77 in. Net  
Weight: 165 lbs.  
Drain Location: Left or Right  
Threshold Height: 4 in.  
Shipping Dimensions: 67 in. x 43 in. x 84 in. Shipping  
Weight: 305 lbs.

## Shower Stall and Package Options

### Available Colors

\* Color tile intended for reference only.



## Available Packages :

Basic and Liberty

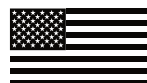
## Warranty

- Ella's Shower Stall: Lifetime Limited Residential Warranty
- Ella's Shower Stall: 30 Year Commercial Warranty

\* For more information please visit [ellabubbles.com](http://ellabubbles.com)

## Codes

This unit shall meet UPC, CSA B45.5, IAPMOZ124-11, Home Innovation Research Lab, and shall meet the requirements of the Southern Building Code.



MANUFACTURED AND ASSEMBLED  
IN THE UNITED STATES OF AMERICA

## New Construction Showers

60" x 36" x 77" New Construction One-Piece Shower  
Basic Package



---

### PACKAGE ACCESSORIES



Chrome Strainer Brass Drain  
with Friction Seal – 2 in.

# New Construction Showers

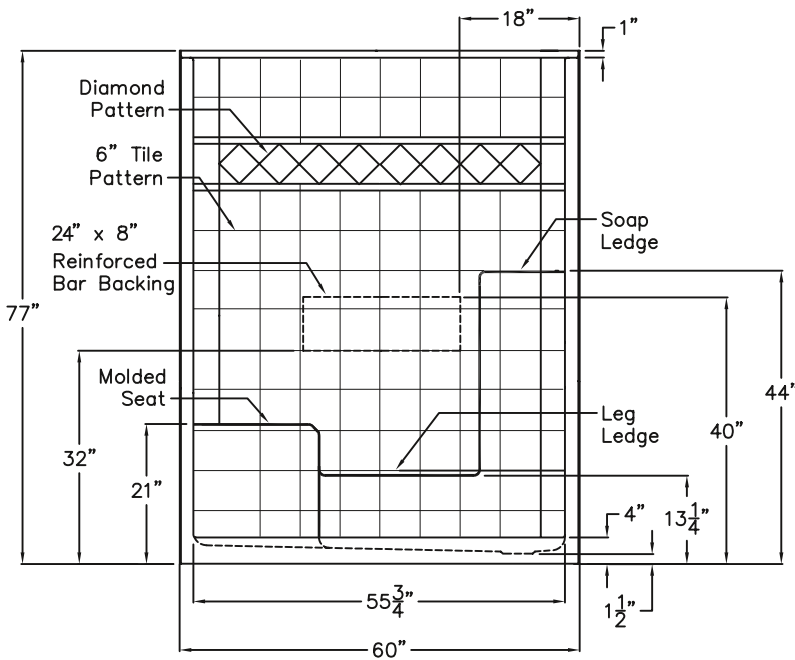
60" x 36" x 77" New Construction One-Piece Shower  
Basic Package



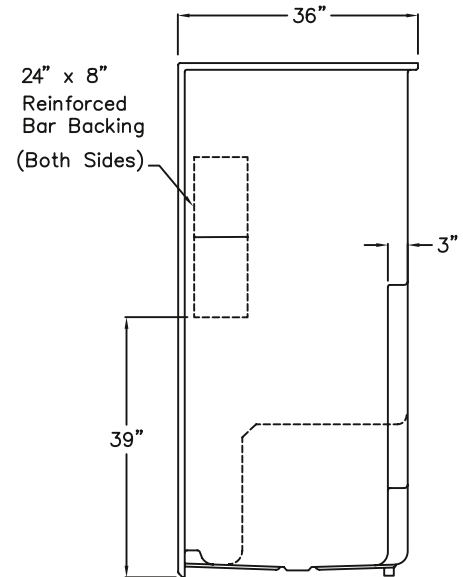
## SPECIFICATION DRAWINGS

Due to the nature of the materials, dimensions may vary  $\pm \frac{1}{2}$  in.

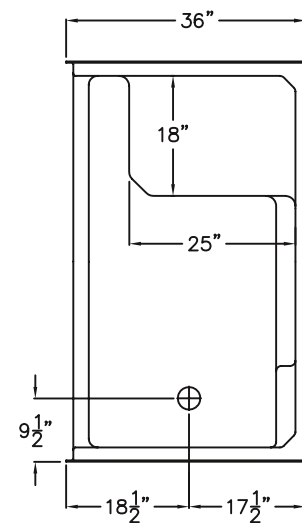
FRONT VIEW



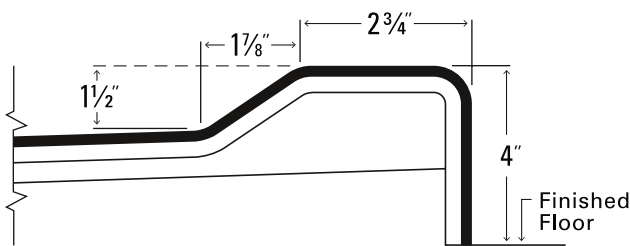
SIDE VIEW



TOP VIEW



4" LOW THRESHOLD



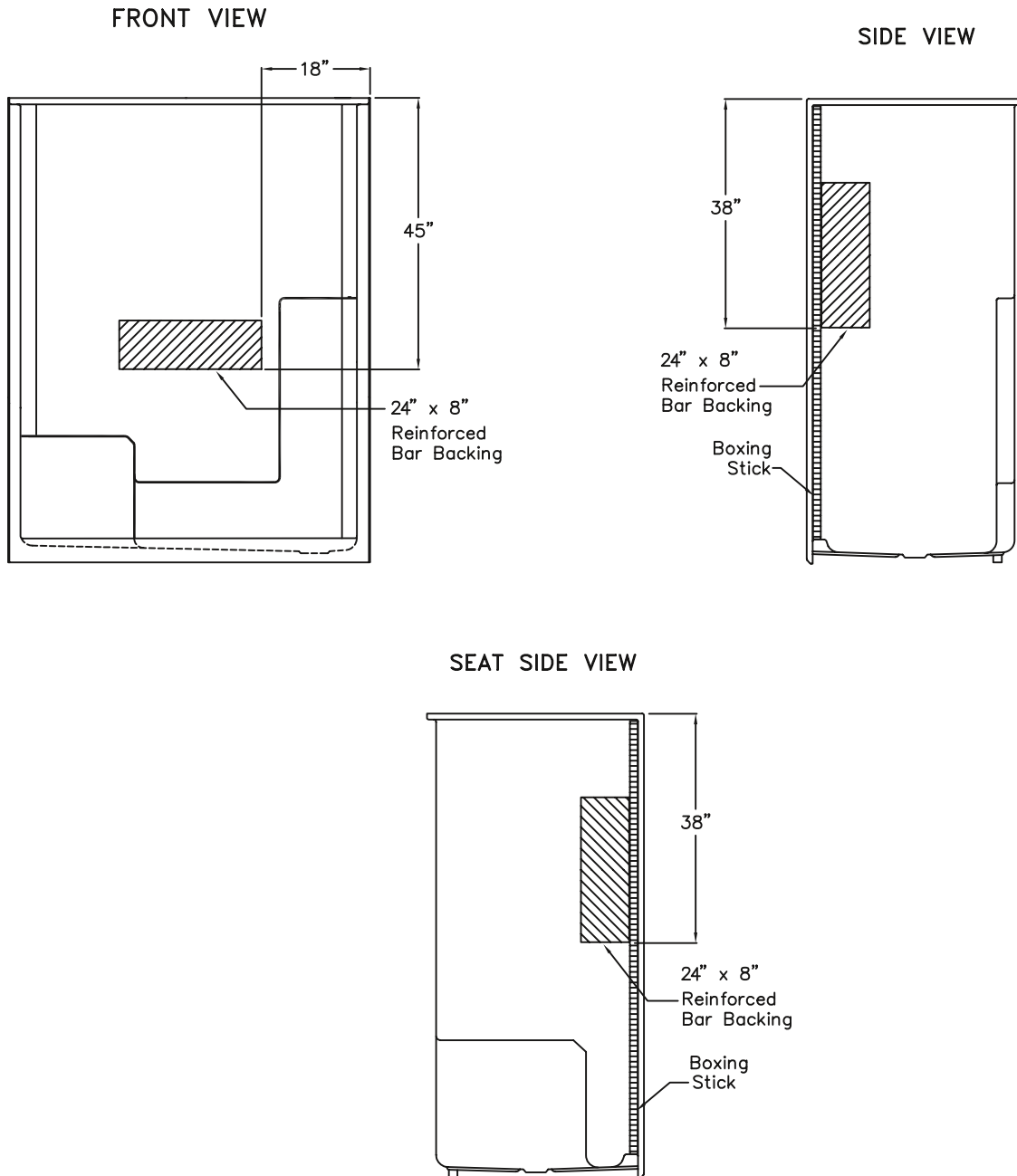
# New Construction Showers

60" x 36" x 77" New Construction One-Piece Shower  
Basic Package



## BACKING PLACEMENT DRAWING

Due to the nature of the materials, dimensions may vary  $\pm \frac{1}{2}$  in.



# New Construction Showers

60" x 36" x 77" New Construction One-Piece Shower  
Basic Package



## PRODUCT FEATURES

### Luxurious & Safe Design

- Architectural subway design tile pattern with diamond accent pattern for a traditionally modern aesthetic
- Integrated Grip Sure™ floor texture for safe mobility
- Molded soap, shampoo & foot ledges for added convenience



### Strength & Adapability

- Premium marine-AcrylX™ & fiberglass polyester resin for a beautiful, long-lasting shower surface
- Reinforced Armorcore™ panels on all walls for installing future grab bars (Future bars by others)
- Twice the weight and the raw materials used in the production of our showers than listed by any of our competitors



### Shower Door Friendly

- Ella's One-Piece Showers are fabricated to allow the options of using a curtain or shower door
- At the base, square corners above the low threshold support framed or frameless shower door installation



### Availability

- Ella's One-Piece Showers are manufactured, inspected & shipped directly from the factory
- \* No order is too big or too small



### Contractor Friendly

- Ella's One-Piece Showers are preassembled at the factory
- Compact and durable packaging for easy handling on the jobsite
- Shipped in heavy duty crating to protect the product in transit

