



M-718ML (left side drain),



M-718MR (right side drain)

**Bali**

**Actual Size:** 29.5x66.9x22.8    **Net Weight:** 163 lbs.  
**Soaking Depth:** 16 inches    **Water Capacity:** 75 gal  
**Shipping Size:** 36x70x28    **Occupied:** 55-75 gal  
**Shipping Weight:** 190 lbs.

**Included Features - Bali**

1. Acrylic Tub Shell:
  - Gloss White Finish
  - Fiberglass Reinforced
2. Stainless steel frame with leveling legs
3. One (1) LED Chromatherapy Lights
4. MicroBubble Therapy System 10AMP 1200W Digital Control
  - 1HP Pump
  - Pressure Vessel
  - Agitator Valve

**Floor Drains**

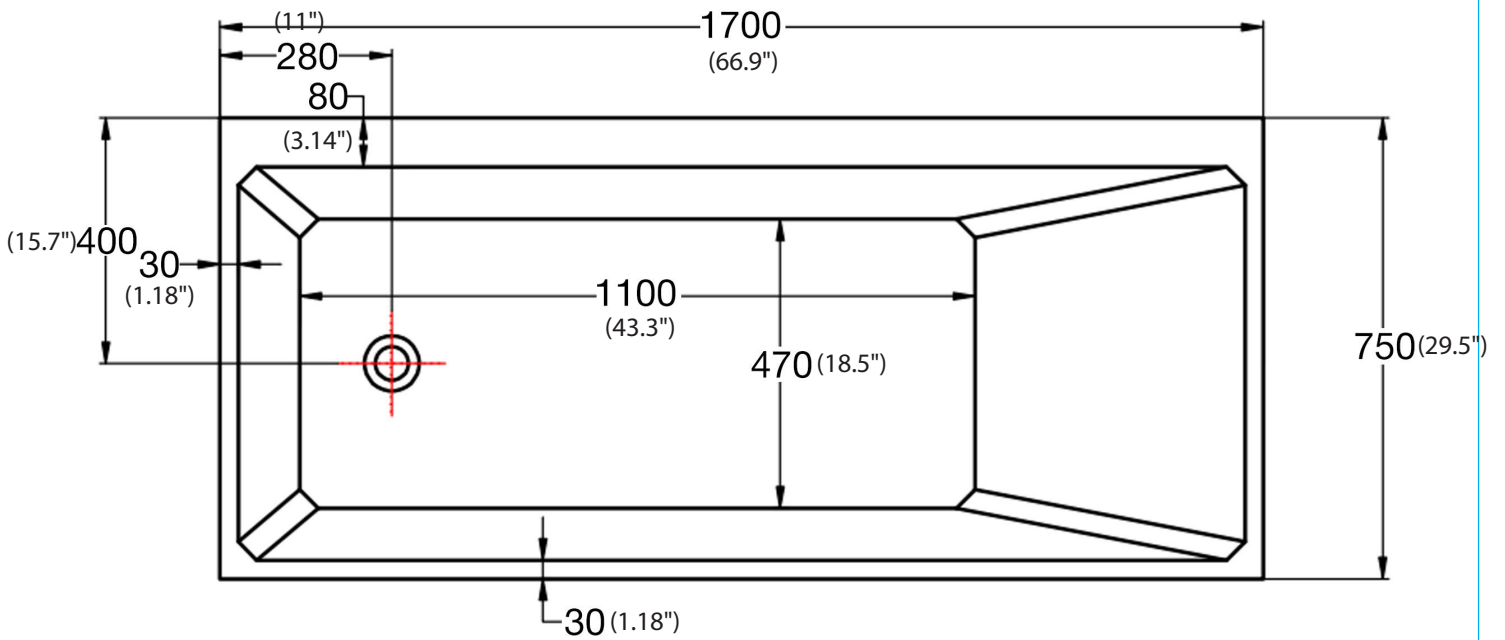
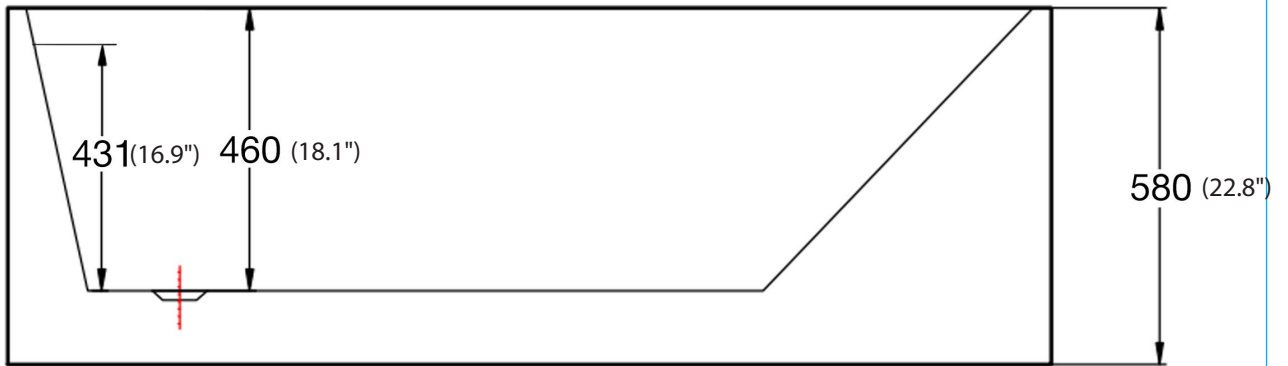
- 1 1/4" brass pop up floor drain with overflow and flexible PVC drain

**Warranty**

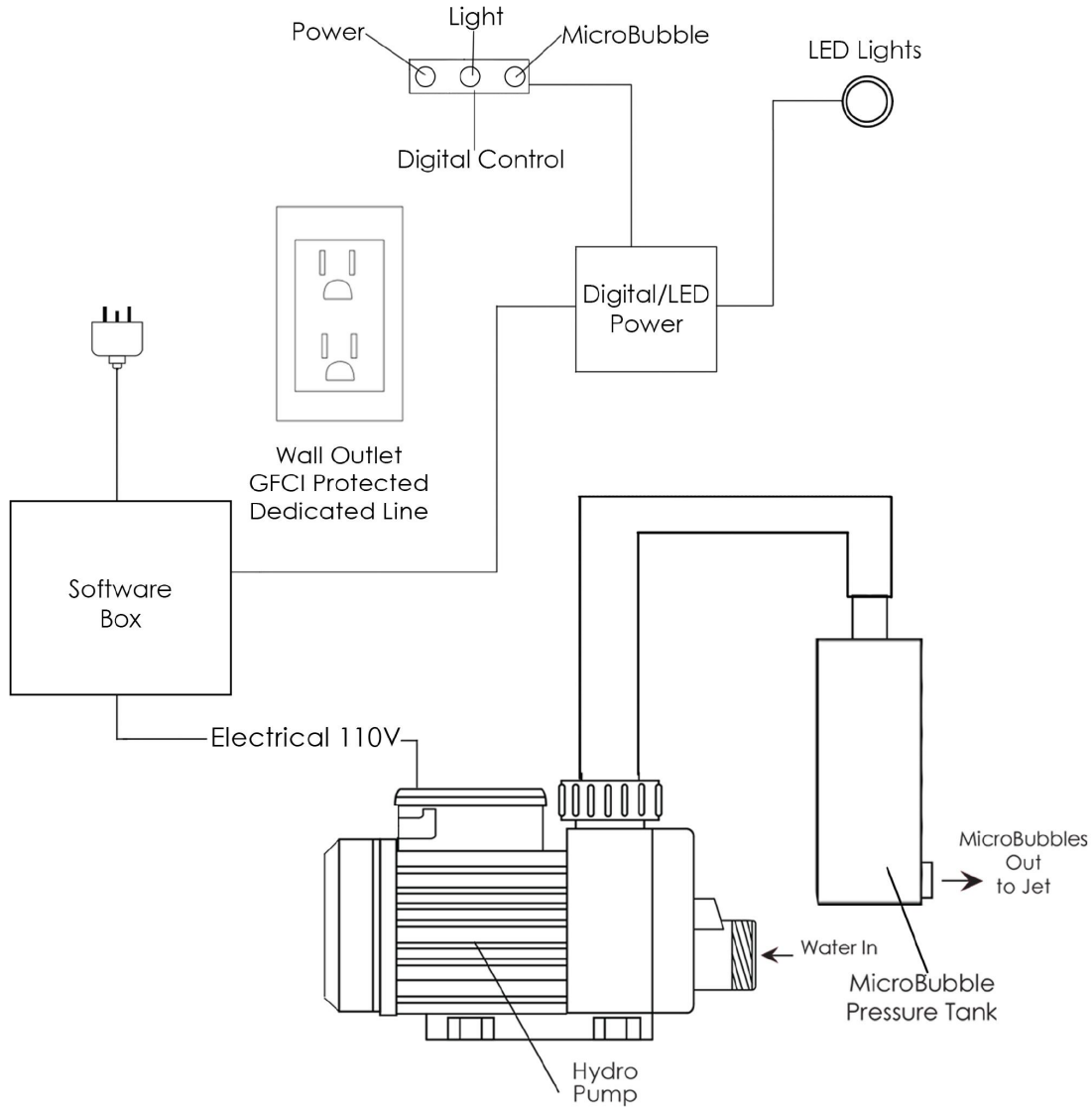
- 5 year warranty on tub shell, frame and parts (please visit [www.ellasbubbles.com](http://www.ellasbubbles.com) for detailed information)

**Electrical Requirements:**

One (1) dedicated 120V electrical line with a 15AMP GFCI standard three prong outlet is required



Infusion™ Microbubble Therapy



**1. MicroBubble Therapy System 10AMP 1200W**

- 1HP Pump
- Pressure Vessel
- Air Switch and one (1) jet
- Agitator Valve

**2. Digital Control**

**3. LED Light**

**Electrical Requirements:**

One (1) dedicated 120V electrical line with a 15AMP GFCI standard three prong outlet is required